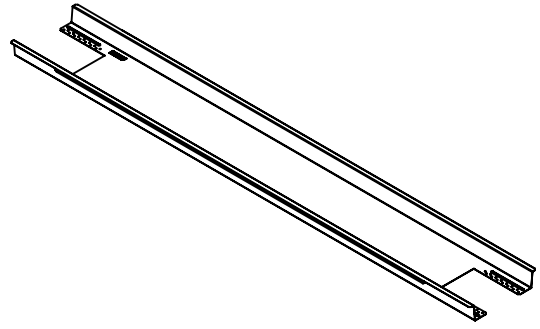
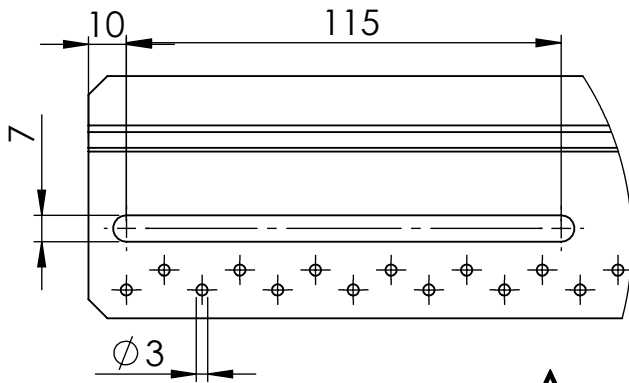
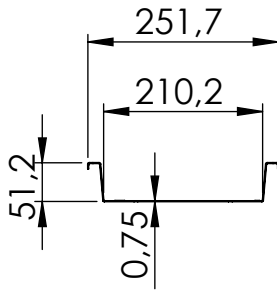
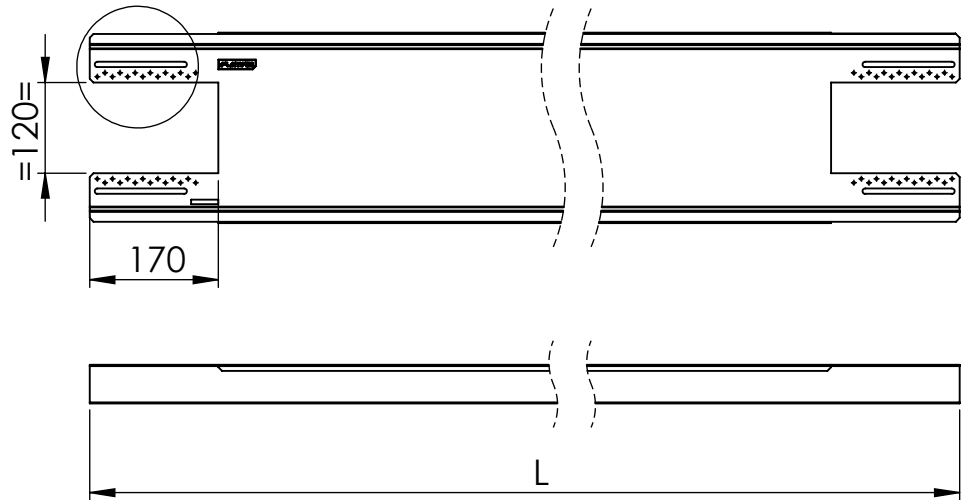


COMMERCIAL DRAWING

DETAIL A
SCALE 1 : 2



A



ARTICLE NO.	DESCRIPTION	LENGTH
100-7215	Ballast holder 1200	1340
100-7207	Ballast holder 1500	1645
100-7202	Ballast holder 1600	1720
100-7210	Ballast holder 1700	1825
100-7241	Ballast holder 1800	1860
100-7213	Ballast holder 1900	2000
100-7086	Ballast holder 2000	2110
100-7219	Ballast holder 2100	2220
100-7230	Ballast holder 1168	1168

ENSTALL™

PRODUCT: **Ballast Holder**

ARTICLE NUMBER: **See Table**

WEIGHT: **-**

PROJECT **FR1401**

MATERIAL: **1.0242 (S250GD) 0.75mm
Magnelis ZM310**

RELEASE DATE: **24-09-2024**

ENGINEERING ID: **201078**

DISCLAIMER: NO RIGHTS CAN BE DERIVED FROM THE INFORMATION PROVIDED BY THIS DOCUMENT