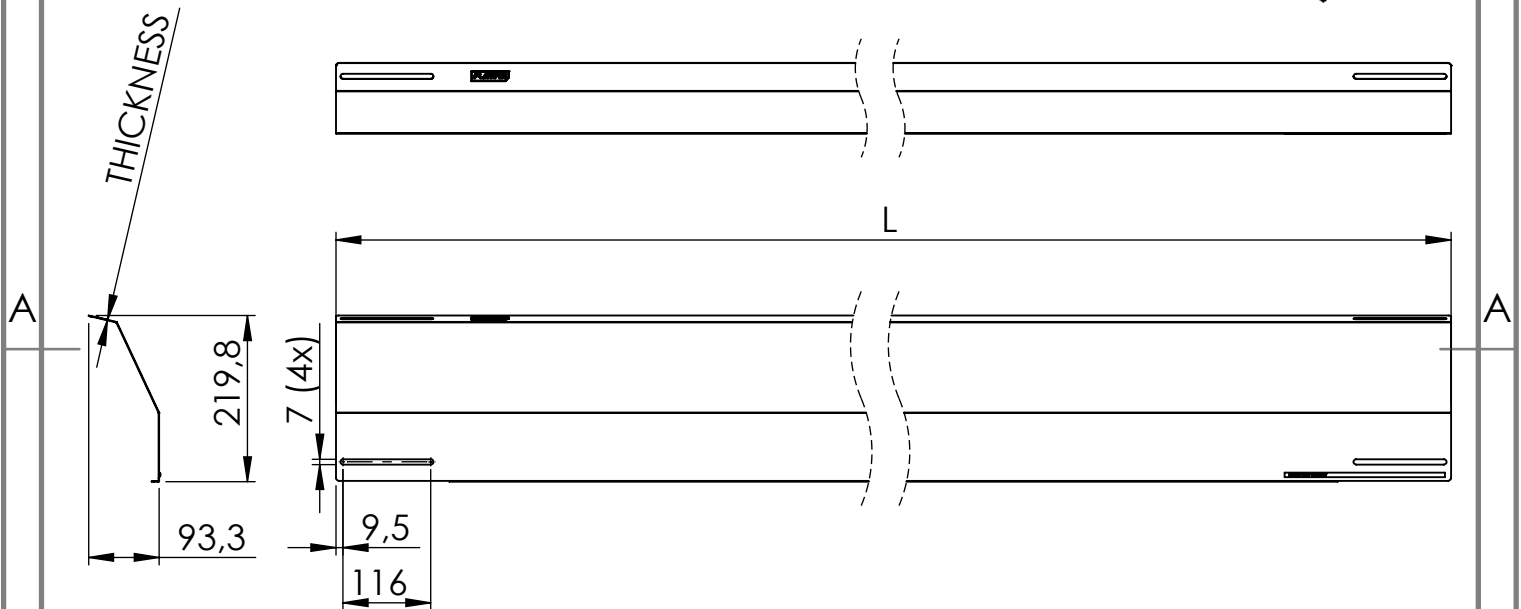
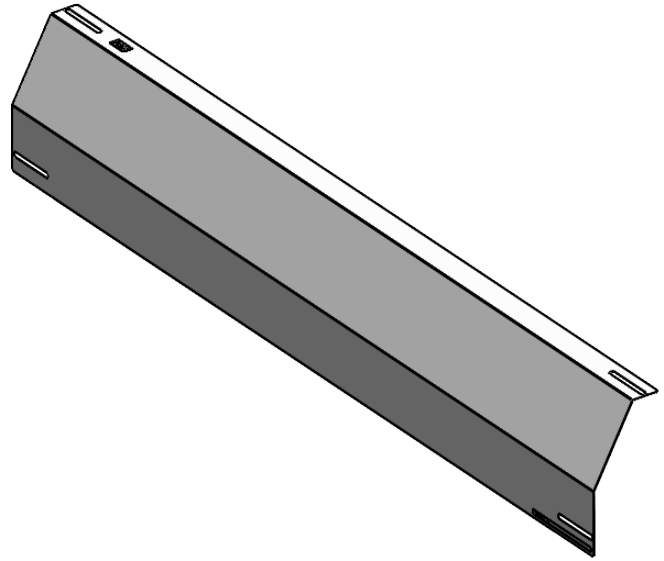


COMMERCIAL DRAWING



ARTICLE NO.	DESCRIPTION	LENGTH	COLOR	THICKNESS
100-7201	Rear Deflector 1600	1721	-	0,75mm
100-7201-B	Rear Deflector 1600 Black	1721	Black	0,75mm
100-7209	Rear Deflector 1700	1826	-	0,75mm
100-7209-B	Rear Deflector 1700 Black	1826	Black	0,75mm
100-7240	Rear Deflector 1800	1861	-	0,75mm
100-7240-B	Rear Deflector 1800 Black	1861	Black	0,75mm
100-7212	Rear Deflector 1900	2001	-	0,75mm
100-7212-B	Rear Deflector 1900 Black	2001	Black	0,75mm
100-7085	Rear Deflector 2000	2111	-	0,75mm
100-7585	Rear Deflector 2000 Black	2111	Black	0,75mm
100-7218	Rear Deflector 2100	2221	-	1,0mm
100-7218-B	Rear Deflector 2100 Black	2221	Black	1,0mm
100-7231	Rear Deflector 1167 Black	1167	Black	0,75mm

ENSTALL™

PRODUCT:

Wind Deflector Rear

ARTICLE NUMBER:

See Table

WEIGHT:

-

PROJECT

FR1401

MATERIAL:

1.0242 (S250GD) Magnelis ZM310

RELEASE DATE:

23-09-2024

ENGINEERING ID:

201077

DISCLAIMER: NO RIGHTS CAN BE DERIVED FROM THE INFORMATION PROVIDED BY THIS DOCUMENT