

1

2

3

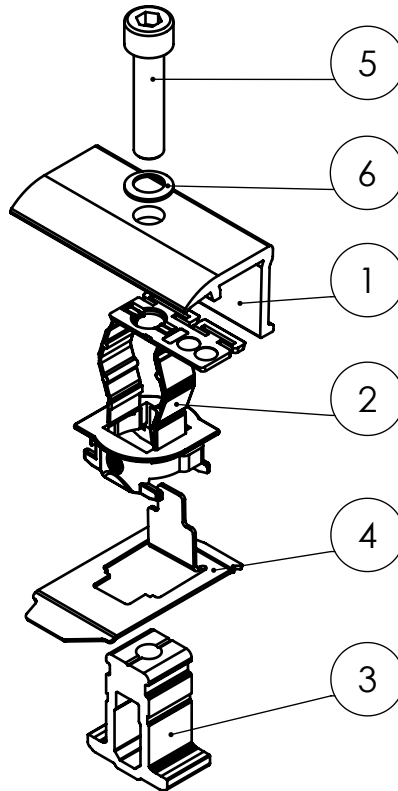
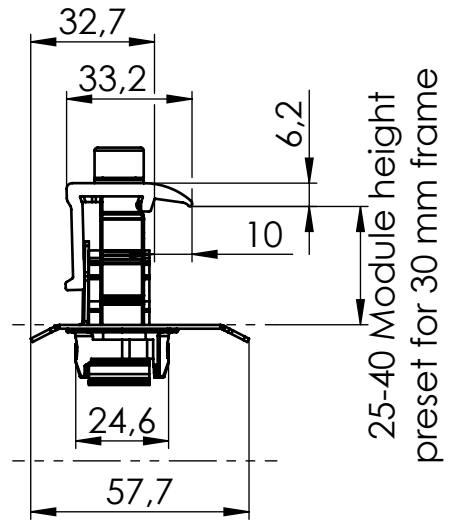
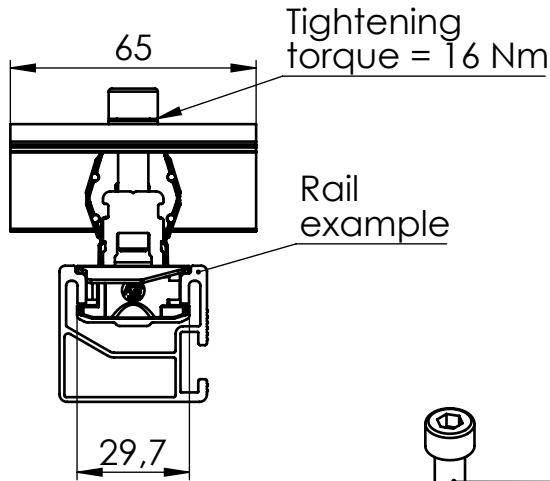
4

A

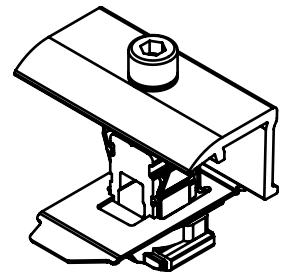
B

C

D



Isometric



Pos.No.	Designation	Material	Quantity
1	K2 Clamp EC 25-40 Solo	EN AW 6063 T66	1
2	Plastic Connector OneEnd 25-40	Thermoplastic	1
3	K2 Clamp EC 25-37 Stance Solo	EN AW 6063 T66	1
4	K2 Clamp EC Support plate	1.4301 (X5CrNi18-10)	1
5	Socket head bolt serrated - sim. ISO 4762 - M8x35	A2-70	1
6	Locking washer - M8	A2	1

F



K2 Systems GmbH
Haldenstr. 1
71272 Renningen
Germany
+49 7159 42059-0

Designation:

Data sheet
K2 Clamp EC 25-40

Name	Date	Material:	Item no.:	A4
Designed S. Frey	11.03.2024	see table	2004543	
Approved V. Schütz	22.05.2025	Surface: -	Drawing no.: 03-443-02	All dimensions in mm
Last change A. Soumpalas	22.05.2025	Weight: ca. 90 g/pc	Scale: 1:2	Sheet 1 of 1

This drawing is the sole property of K2 Systems GmbH. It is protected by copyright and may only be copied, reproduced or distributed to a third party with explicit permission!